

# wiggler

rollzone



## USER MANUAL

**Warnings (DE):**  
Die Installation sollte von einem Erwachsenen durchgeführt werden. Wenden Sie sich an den Händler, wenn Sie Unterstützung bei der Installation benötigen. Kleinteile von Kindern fernhalten. Überprüfen Sie das Produkt vor jeder Fahrt. Fahren Sie das Produkt NICHT auf Straßen mit viel Verkehr oder in gefährlichen Situationen. Die Verwendung des Produkts erfolgt ausschließlich auf eigene Gefahr.  
**AUFSICHT EINES ERWACHSENEN ERFORDERLICH!**

**Warnings (EN):**  
Installation should be done by an adult. Contact the reseller if you need any support regarding the installation. Keep small parts away from children. Inspect the product before each ride. DO NOT ride the product on roads with traffic or any dangerous situation. The use of the product is entirely at your own risk.  
**ADULT SUPERVISION IS REQUIRED!**

**Warnings (FR):**  
L'installation doit être effectuée par un adulte. Contactez le revendeur si vous avez besoin d'aide concernant l'installation. Gardez les petites pièces hors de portée des enfants. Inspectez le produit avant chaque trajet. NE conduisez PAS le produit sur des routes avec de la circulation ou dans des situations dangereuses. L'utilisation du produit est entièrement à vos propres risques.  
**LA SUPERVISION D'UN ADULTE EST REQUISE!**

**Warnings (PT):**  
A instalação deve ser feita por um adulto. Entre em contato com o revendedor se precisar de suporte em relação à instalação. Mantenha peças pequenas longe das crianças. Inspeção o produto antes de cada passeio. NÃO conduza o produto em estradas com trânsito ou qualquer situação perigosa. O uso do produto é inteiramente por sua conta e risco.  
**A SUPERVISÃO DE UM ADULTO É NECESSÁRIA! SUPERVISÃO DE ADULTOS É NECESSÁRIA!**

**Advisories (DK):**  
Installation skal udføres af en voksen. Kontakt forhandleren, hvis du har brug for support vedrørende installationen. Hold små dele væk fra børn. Efterse produktet før hver tur. Køb IKKE med produktet på veje med trafik eller andre farlige situationer. Brugen af produktet er helt på eget ansvar.  
**VOKSEN TILSYN ER PÅKRÆVET!**

**Advertencias (ES):**  
La instalación debe ser realizada por un adulto. Póngase en contacto con el distribuidor si necesita ayuda con respecto a la instalación. Mantenga las piezas pequeñas fuera del alcance de los niños. Inspeccione el producto antes de cada viaje. NO conduzca el producto en carreteras con tráfico o cualquier situación peligrosa. El uso del producto es bajo su propio riesgo. **¡SE REQUIERE SUPERVISIÓN DE UN ADULTO!**

**Waarschuwing (NL):**  
De installatie moet worden gedaan door een volwassene. Neem contact op met de reseller als u ondersteuning nodig heeft bij de installatie. Houd kleine onderdelen uit de buurt van kinderen. Inspecteer het product voor elke rit. Rijd NIET met het product op wegen met verkeer of gevaarlijke situaties. Het gebruik van het product is geheel voor eigen risico.  
**VOLWASSEN TOEZICHT IS VEREIST!**

**Varningar (SE):**  
Installationen ska utföras av en vuxen. Kontakta installationen för hjälp om du behöver support angående installationen. Håll små delar borta från barn. Inspektera produkten före varje åktur. Åk INTE produkten på vägar med trafik eller någon farlig situation. Användningen av produkten sker helt på egen risk.  
**Vuxentillsyn KRÄVS!**



rollzone  
Menslootweg 22  
5627BR Eindhoven, Netherlands  
www.rollzone.eu

2. Balance your body from left to right and repeat this action, then the scooter will move easily and continuously.



Walk in the scooter and hold the handlebar

Twist your body left

Twist your body to the right

Note: Any pictures of the scooter or decals in the manual, and may be somewhat different from the actual unit you purchase.

## INDEX

- , Important Safety Notice ..... 2
- The scooter parts and components ..... 4
- Assembly Instructions ..... 5
- Check before mounting ..... 7
- How to use ..... 8
- Use and maintenance guide ..... 9

## IMPORTANT SAFETY NOTICE.

### DANGER

#### PRECAUTIONS:

Like any other product of movement, the scooters can be a risky and can result in situations dangerous. Be sure to read the entire manual before using, in particular, pay attention to the following.

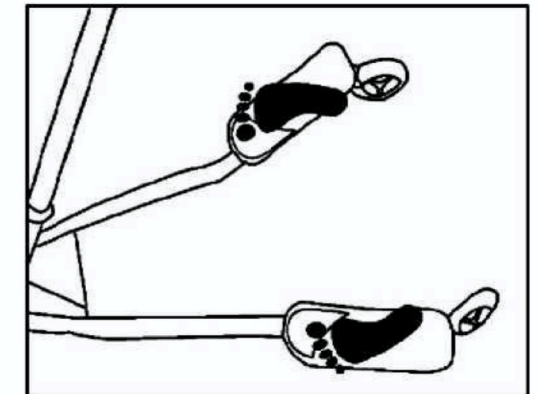
1. Always wear appropriate protective equipment such as helmet, elbow pads, knee pads, long sleeve shirt, gloves, pants.
2. Always use or suitable for sports footwear, and should not ride barefoot or in sandals.
3. Just mount the scooter on level ground. Do not use the scooter in wet soil or rocks or uneven terrain coarse sand. Also, do not use the scooter at night or in wet or icy conditions.
4. Do not ride the scooter with one hand, put both hands on the handlebars.
5. Do not make a skidding turns or aggressive when riding the scooter, and do not put the body on the handlebar to make a turn, the handlebar the scooter can go wrong.
6. Do not ride the scooter on slippery or wet ground, the wheel PU can slip and damage the scooter.

## CHECK BEFORE ASSEMBLY

1. First, please make sure the brakes work.
2. Secondly, please check that the threads are well tight and the handle is centered and tight.
3. Third, please check the rear wheels can turned easily and bolts are tight.
4. Finally, you can start riding the scooter after to verify the above.

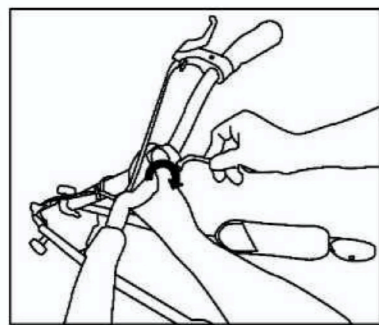
### MOUNTING

1. Put your feet appropriately for the show.



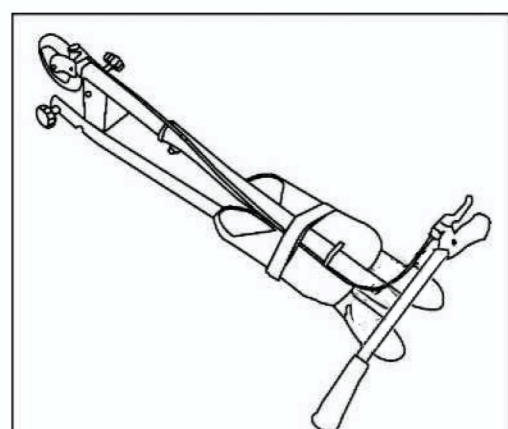
### STEP 2 HANDLEBAR MOUNT

Place the handlebar adjusting it the center. (NOTE: The lever brake is on the right). Cover the handle with the anchor handlebar (TOOLKIT). Screw and set at the proper angle handlebar and then tighten screws to secure.



### STEP 3 FOLDING SCOOTER

Unscrew the two threads side, push the handlebar to down until it touches the foot platforms, wrap the scooter will complete with the boat for folding.  
**(DANGER: Make sure your fingers are outside the fold)**

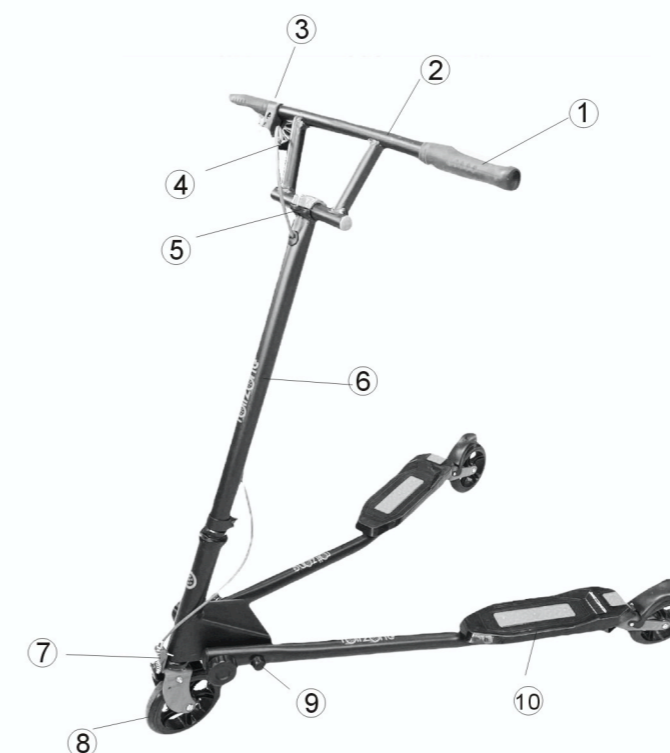


7. Do not ride the scooter on hills above, especially not less no long downward slope, could damage the braces.

8. Tighten the brake lever on the handlebar and ensure the brake is working. After continuous use the brake may be hot, and stay off the brake to prevent wounds.
9. Move the handlebar from left to right and correct for make sure it works well and easily, also be sure if the handle is properly secured before riding the scooter.
10. All children should ride at all times with the adult supervision. Supervise, inspect the scooter before start using, making sure to press all parties to prevent accidents.
11. Please be followed and must obey traffic laws local security for the ride.
12. Do not use attachments not included with the scooter. Do not attempt to any changes.
13. Ensure that all components fit together and are secured tenaciously.
14. The lesions may occur if these precautions are not taken.

### DANGER

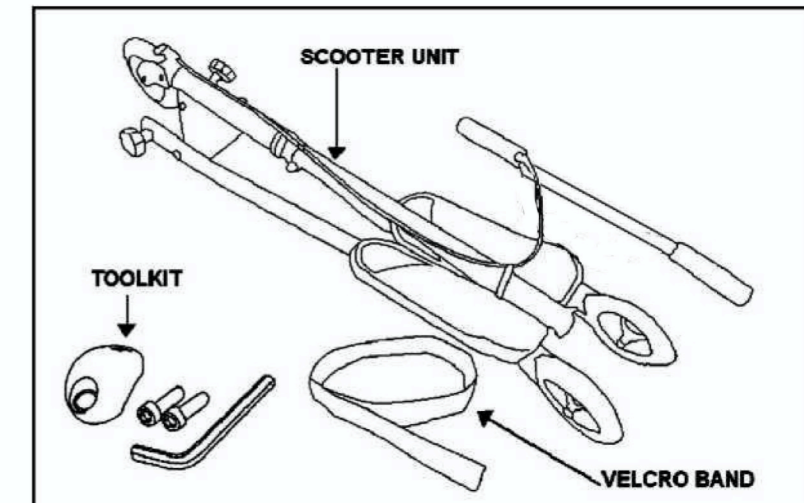
### SCOOTER PARTS AND COMPONENTS OF



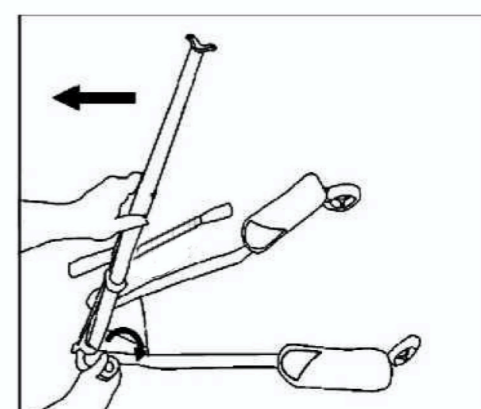
PARTS LIST			
No.	NAME	No.	NAME
1	fists	7	Brake Plate
2	the handlebar	8	The front wheel
3	The brake lever	9	Folding wheel
4	The brake cable	10	foot base
5	anchor handlebar	11	The rear wheel
6	Height adjustment tube		

### INSTRUCTIONS

Open the box, please check if all parties and components are complete or not.



### STEP 1 DISPLAY THE SCOOTER



Pull down the tube directing with one hand, and lift, screw in the clockwise hermetically clock in the two threads, by Please be sure that the two threads are fully tightened.  
**(DANGER: Make sure that your fingers are outside the folded)**